

Bibby Turboflex Disc Couplings

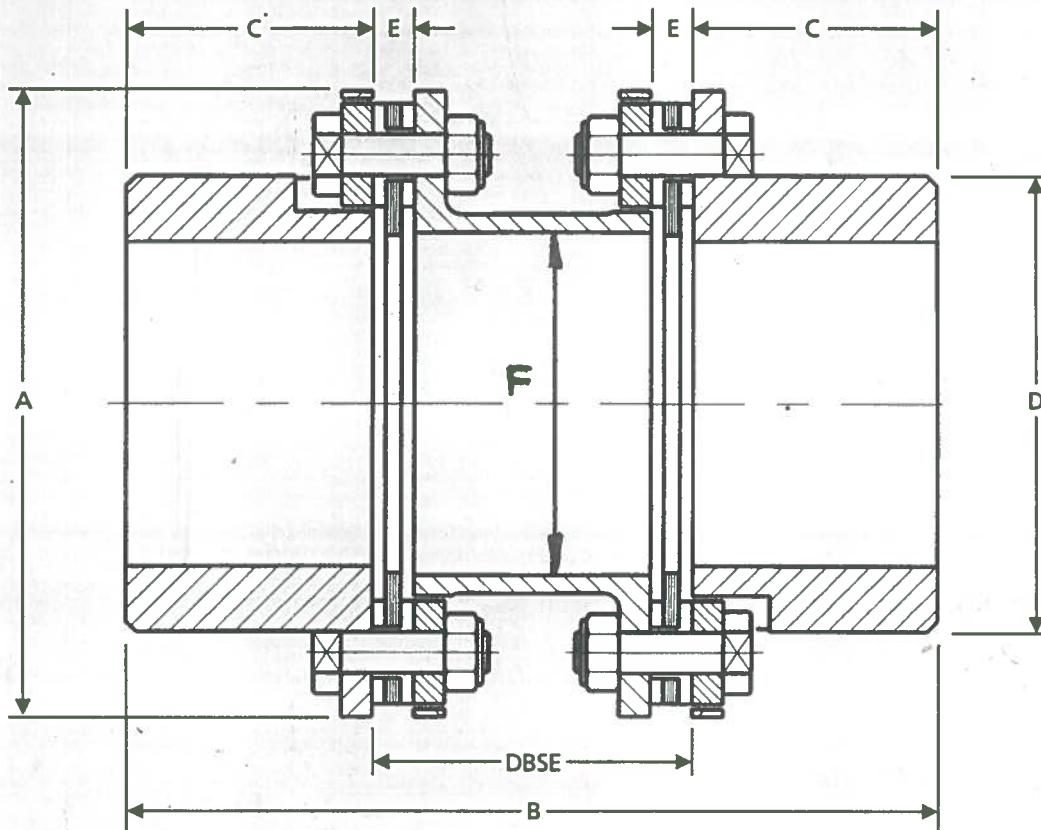
These units are available with DBSE's to suit requirements equal to or above the minimum shown.

The information on this page refers to the standard range of Bibby Turboflex Type D double element couplings.

Shorter lengths may be available by special design.

Larger sizes, and variations on the standard design to suit specific applications, are available.

Type D Sizes 62 - 272 Double element couplings.



BLADE I.D.	SIZE	RATING		MAX. RPM	BORE MAX	DIMENSIONS						MIN DBSE
		kW/rpm	kNm			A	B	C	D	E	F	
40	62	0.020	0.19	14500	35.0	78	105	35	50	6.3	24	40
52	82	0.026	0.25	12000	45.0	95	125	45	65	6.3	40	40
66	102	0.065	0.62	12000	63.5	122	173	65	89	8.1	53	50
77.5	122	0.126	1.20	10000	76.2	145	204	75	105	8.8	66	60
92	142	0.220	2.10	8600	90.0	169	243	90	123	10.3	80	70
110	162	0.350	3.30	7500	105.0	198	286	105	145	11.9	92	80
28	192	0.710	6.80	6000	125.0	234	346	125	172	15.1	110	105
51	232	1.292	12.30	5000	146.0	278	404	145	203	17.0		120
81.5	272	1.760	16.80	4200	172.0	325	472	175	239	17.4		130